

## Safety Instruction

1. Do not install the equipment in high temperature or high humidity environment.
2. Keep the unit away from television, otherwise the signals of the TV and intercom use could be interfered with each other.
3. Do not touch the screen with wet hands.
4. Avoid throwing, dropping or hitting the equipments.
5. Clean the equipment with a soft cloth. Do not use detergent, thinner, volatile or corrosive liquids.
6. Keep the outdoor unit away from direct sunlight. Otherwise the pictures may become blurred due to the direct sunlight on the camera.
7. When a car or a motorbike passes by, the pictures may become blurred or be cut off due to the interference of radio wave.
8. Use the product under the circumstance of no interference and barrier free.
9. Do not install the two units on a place with too many walls. (The transmission will be interfered due to signals shielding.)

### Caution

1. To prevent damage, the products should be installed on the floor/wall according to the instruction.
2. Power plug as disconnecting device should be kept convenient to operate.

### Symbols:

Recycling and disposal: The WEEE symbol (a) means that this product and batteries must be disposed separately from other household waste. When it reaches its end of life, take it to a designated waste collection point in your area to guarantee a safe disposal or recycling. Protect the environment, human health and natural resources! Read the manual (b) before use and store it in a safe place for future use and maintenance.

ELRO Europe | [www.elro.eu](http://www.elro.eu)  
Postbus 9607 - Box E800  
1006 GC Amsterdam - The Netherlands



GUARANTEE  
Visit [www.elro.eu](http://www.elro.eu)



# Manual EN

## DV044RF



# VIDEO DOOR INTERCOM

## WIRELESS CONNECTED

Home is not a place, it's a feeling

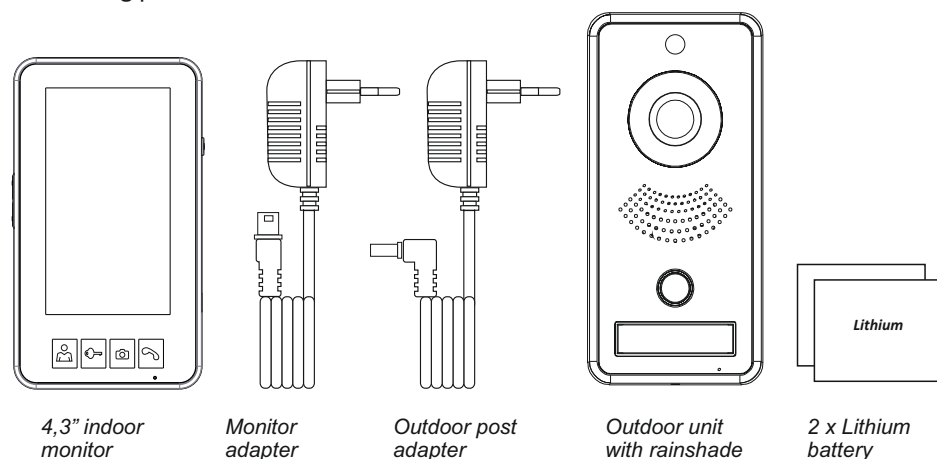


## Digital wireless Video Intercom system

Congratulations on the purchase of your new ELRO Video Intercom, featuring night view, wireless transmission from outdoor unit to indoor monitor, an outdoor unit with lit nameplate and a portable 4,3" (11 cm) indoor monitor with 2-way communication.

We want you to be able to use this ELRO product without having to read an extensive guide, so this user manual will help you to get started, make the outdoor unit and indoor monitor work together and indicate the most important features. If you need more detailed information you can visit our website [www.elro.eu](http://www.elro.eu) for a service hotline and more details.

Besides the mounting materials (dowels and screws) and user manual, the set contains the following parts:



## Product description and features

This ELRO RF Video Intercom makes receiving visitors more comfortable, as the indoor monitor comes with a rechargeable lithium battery and is portable. It has an aluminium finished outdoor unit with a protective rainshade for surface wall mounting. The 0,3 MP CMOS camera with 90° view angle comes with 6 IR LEDs for night view in the dark and a lit nameplate. For the outdoor unit you can choose between a lithium battery or a power adapter.

## Specifications

### Outdoor unit

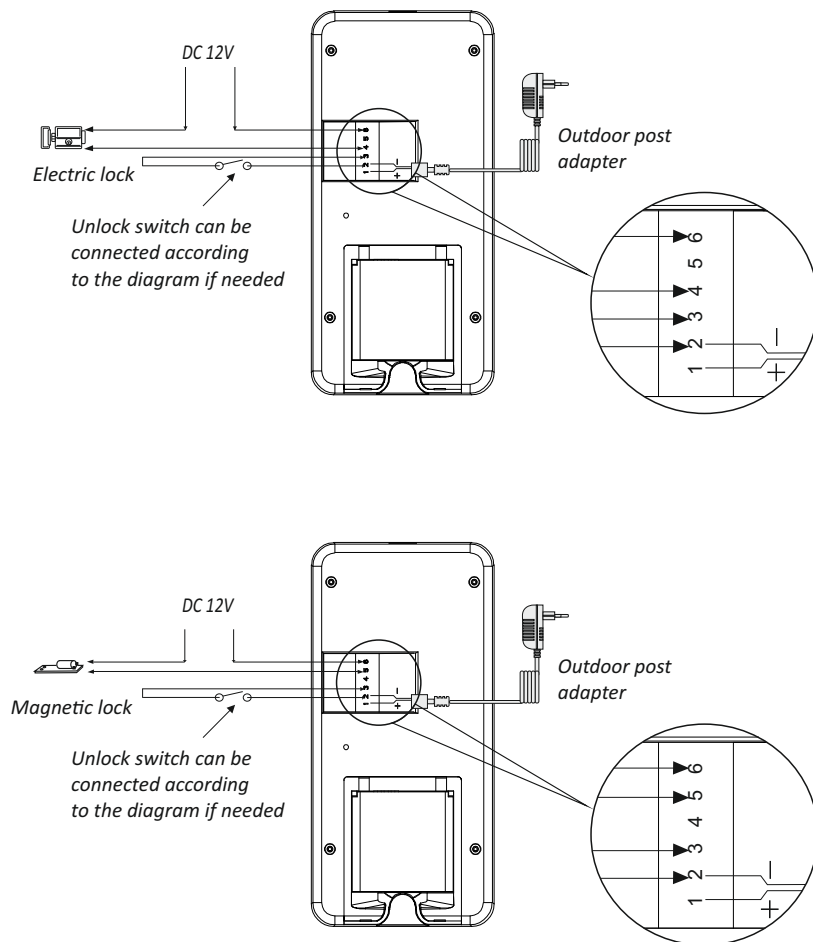
Camera Sensor	: 0,3 MP CMOS
Camera angle	: 90°
Power supply:	: 12 V DC; 1,1 A
Working power consumption	: Max. 2,8 W
Standby power consumption	: Max. 0,4 W
Standby current	: Max. 1 mA
Night view	: 6 x IR LEDs
Lithium battery incl.	: 3,7 V; 1.200 mAh
Battery charging time	: 3 h
Dimensions	: 163 x 85 x 62 mm
Transmission frequency	: 2,4 GHz frequency hopping

### Indoor monitor

Lithium battery incl.	: 3,7 V; 1.200 mAh
Battery charging time	: 3 h
USB power adapter output	: 4,5 V DC; 1 A
Working power consumption	: Max. 2,4 W
Standby power consumption	: Max. 0,3 W
Standby current	: Max. 8 mA
Battery standby time	: Up to 120 h
Max. volume	: 70 dB
Display resolution	: 480 x 272 px
Open range distance	: ca. 150 m
Screen size	: 4,3" (11 cm)
Dimensions	: 138 x 80 x 22 mm
No. Of melodies	: 25

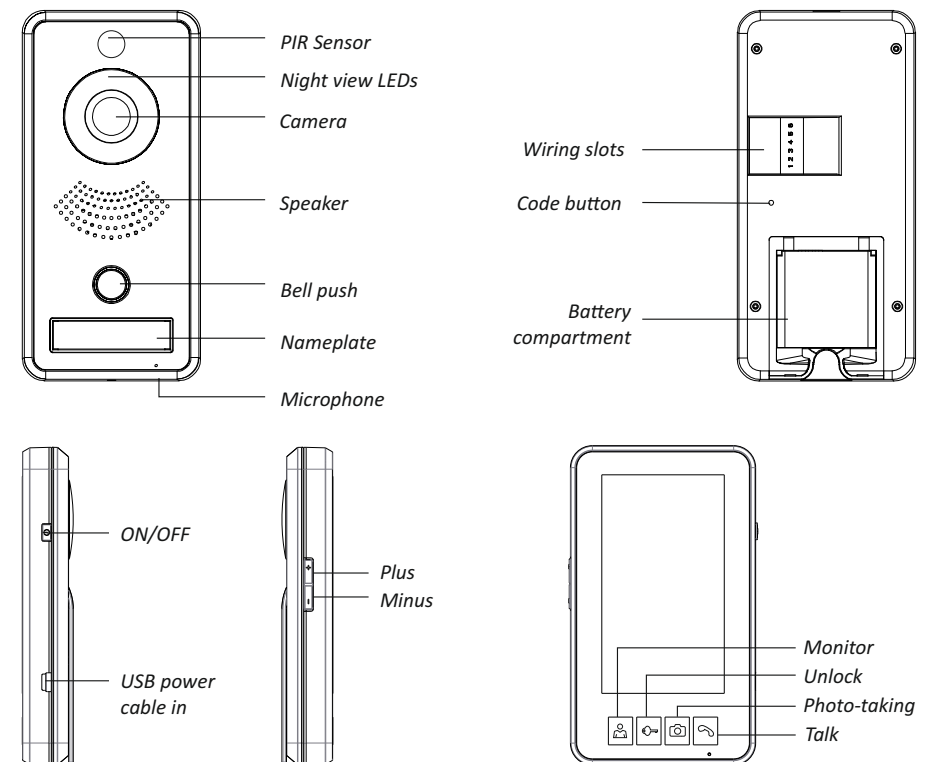
## Adding a door lock

The system can operate a door lock as well, if you use the adapter power for the outdoor unit. Please note that a door lock will need a separate power supply; check the wiring diagrams below or inquire with an electrician. If you want to use a switch for the activation/ deactivation of the doorlock, wire it to slots number 2 and 3. To wire an electrical door lock, which is far more common than a magnetic door lock, use the connection slots numbers 4 and 6. For a magnetic door lock use the connection slots numbers 4 and 5 respectively.



When someone rings the intercom, the 4,3" (11 cm) indoor monitor will ring to indicate a visitor. You can immediately see any visitors and talk to them, take pictures and operate the electric door lock (optional).

The wireless transmission distance is up to 150 meters when unobstructed and works on a secure frequency hopping technology for maximum privacy protection. You can also have an automated alarm, photo taking and live view, activated by the PIR motion detector on the outdoor unit.



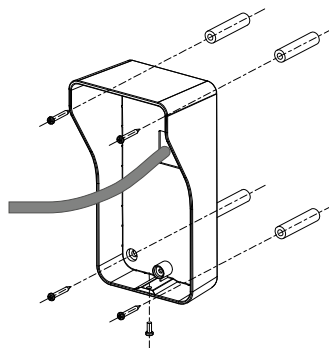
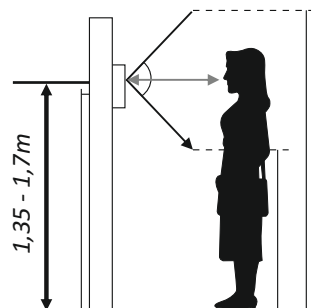
### Note:

Please verify carefully whether you want others to enter your home, even if you are not at your door. Be aware of the risks involved in letting others in.

## Installation

### **A: Mounting the Outdoor unit**

1. Take the rainshade and use it to mark the drilling holes on your wall. You can choose between battery operation and adapter power. Using the door lock feature is only possible when using the adapter to power the outdoor unit. Make sure that you can reach this place from the back with the power adapter cable and, if applicable, with the door lock cable. We recommend a mounting height of between 1,35 and 1,70 Meters. Try to avoid direct sunlight and rain as much as possible.
2. Put the power adapter cable through the rectangular hole in the rainshade and fix the rainshade with the screws and dowels supplied with the set; take out the name plate paper, note your name and put it back in.
3. Insert the lithium battery in the outdoor unit and/or connect the power cable to the outdoor unit:  
For adapter power: RED cable to slot 1 and WHITE cable to slot 2, put the outdoor post into the rainshad and fix it with the inbus screw. Then plug the adapter into the wall socket.



### **B: Activate the indoor monitor and pair the devices**

4. Insert the lithium battery in the indoor monitor and/or plug the USB adapter into the monitor. With the USB adapter, you can charge the lithium battery or continuously operate the indoor monitor.
5. Press and hold the power button on the right side of the monitor for 3 seconds to activate it. The monitor will then show “welcome” on the screen.
6. Now press the power button 4 times in quick succession; “pairing” will be shown on the screen to indicate the monitor is in pairing mode.
7. With a small needle, press the code button on the backside of the outdoor unit and the 2 devices will be paired.

## Operating the door intercom

To use the system, the indoor monitor must be switched ON; even if it goes into standby mode. You can distinguish standby mode from completely switched OFF by the LED indicator on the top of the indoor monitor, which will light up in blue in active mode and flash in blue every 4 seconds in standby mode.

Long pressing the power button will turn the unit ON or OFF completely, short pressing will put it into or wake it up from standby mode. You can also turn the unit on by pressing any of the 4 buttons on the front. After 30 seconds of inactivity it will automatically enter standby mode again.

When you are in live view (either by pushing the LIVE VIEW button, or because someone rang the doorbell), you can enter the talk mode by pushing the TALK button or take a picture by pushing the PHOTO TAKING button. A photo will be taken automatically when a call is not answered within 5 seconds.

To unlock the door, push the DOOR UNLOCK button in live view mode.

### **Settings:**

To adjust the settings, the indoor unit must be turned on. Outside live view, but with the monitor turned on, you can use the UNLOCK button to enter the settings menu and also switch to the next setting parameters, which will appear in following order:

→ language settings → Date and time settings → Ringtone/volume settings →  
Unlock time setting → PIR setting

With the PLUS button, you can change the language and ringtone, go up in time and date or choose the unlock time (1-6 seconds). With MINUS, you can go down in time and date and adjust the ringtone volume. To switch between hours-minutes-year-month-date, use the PHOTO TAKING button. To activate and deactivate the mute function on the monitor, press and hold the TALK button for 3 seconds and the music icon on the display will show either green or red.

To adjust the brightness, color intensity and talk volume, you need to be in talk mode and then press the LIVE VIEW button, which will also bring you to the next parameter. PLUS and MINUS will change the values between low (0) and high (7).